



# Barnfold Hardware Kit



Installation instructions for the patent pending *BARNFOLD* hardware system.

## OVERVIEW

The *barnfold* hardware system provides the movement of our barn doors with the convenience of a track which does not extend beyond the width of the opening. We suggest measuring your opening from outside of casing, which allows the doors to completely cover your opening. If there is no trim, add 1" to the width and ½" to the height measurement. With this overall dimension, determine if you want 2 or 4 doors.

All doors using the *barnfold* system must be hinged to create a bi-fold door. (We recommend using hinges provided) You will need to mount one stationary hanger on one side of the doors, and one articulating hanger on the other side of the bi-fold doors. On the bottom of the doors, your bracket is mounted to be used with the pivot hinge.

The track is located above the opening, mounted and the barnfold system is complete. All hardware components are included with your *barnfold* hardware kit. All track mounting hardware is included with the track kit. We recommend installing the track, and stationary hangers on a ledger board over the head casing, to ensure a strong attachment to the wall.

### STEP 1: INSTALL HINGE BETWEEN DOORS

Place doors face down and square top edge. Allow 1/8" space between doors and secure hinge mechanism.

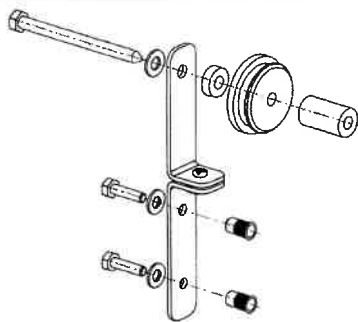
### STEP 2: INSTALL BOTTOM BRACKET ON OUTSIDE CORNER.

The bottom bracket has two 1/8" holes and one 5/16" hole. Place bracket on bottom outside corner with 5/6" hole located 1-1/4" from outside edge of door and centered on bottom rail. Install 3/4" screws and drill through the 5/16" hole 1/2" into the door stile.

### STEP 3: INSTALL *BARNFOLD* STATIONARY HANGER

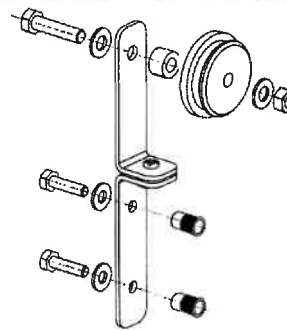
The stationary hanger is installed on the top edge of the door with the bottom bracket. Place the hanger on the face of the door, with the holes 1-1/4" from the outside edge. Allow a small space between the pivot and the top of top of the door (1/16" recommended), and mark the 2 bolt holes. Drill 3/8" holes through the door where marked, and install anchors from the back side of door. Use small washer and bolt the hanger in place.

### Barnfold Stationary Hanger



(Stationary Hanger with Lag bolt through wheel to ledger board.)

### Barnfold Articulating Hanger



(Pivot Hanger that rolls, and steps off track.)

### STEP 4: INSTALL BARNFOLD ARTICULATING HANGER

On the opposite top door edge, install the articulating hanger. Place the hanger on the face of the door, with the holes 1-1/4" from the outside edge. Allow a small space between the pivot and the top of door (1/16" recommended), and mark the 2 bolt holes. Drill 3/8" holes through the door where marked, and install anchors from the back side of door. Use small washer and bolt the hanger in place.

### STEP 5: INSTALL PIVOT BRACKET IN OPENING ( EITHER STRAIGHT OR 90 DEGREE FACE MOUNT)

Install the pivot pin on either bracket with the screw provided. Locate pivot bracket holes and pivot 3/4" from outside edge of opening, and the pivot pin 1-5/8" from the front edge of the opening. Carefully install pivot bracket in this position with 3/4" screws.



(Pivot Bracket)

### STEP 6: INSTALL TRACK

Place assembled doors on the pivot bracket and mark the top edge of the door on wall. Measure up 2-1/4" and make a mark---this will be the top edge of the track. Locate your track on this mark, level your track, and mark holes. Drill 1/8" holes and lag track to the wall or ledger board. Use the 1-3/8" spacer on the back of the track, and a flat washer on the front.

### STEP 7: INSTALL DOORS IN OPENING

Place *barnfold* assembly on pivot, with the stepped roller on the track. Center stationary hanger and mark the hole location through the wheel on the wall. Drill a 1/8" guide hole at this location. Using a flat washer, 5/16" x 4" lag bolt, 1/2" spacer, stationary hanger, and 1-1/4" spacer bolt the assembly in place. Do not tighten at this time. Check that the movement of the *barnfold* system allows you to close and fully open the doors, then tighten all fasteners. Congratulations, enjoy your new *barnfold* system!!!! Any questions, Call us at 603-352-3207